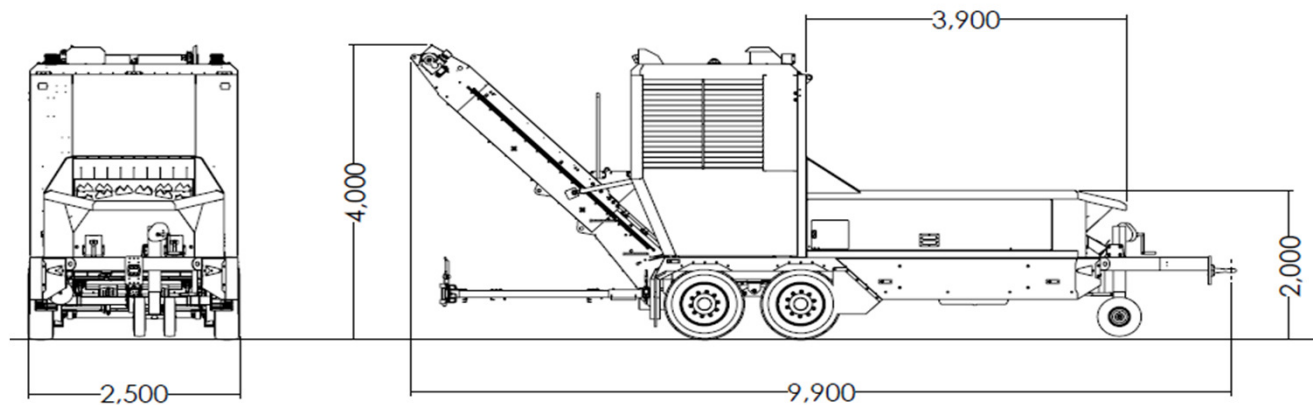


Technical Data

Shredder | Series | MZA 3400



Transport Dimension	l/w/h	9900/2500/4000
Engine		
Manufacturer		MAN
Type		D0836 LE 124
maximum Performance	kw/HP	250/340
Cylinder quantity		R6
Capacity	cc	6871
Nominal rotation Speed	rpm	1750 / 2000
Rotation Speed at maximum Torque	rpm	1200-1800
maximum Torque	Nm	1250
Emission		STAGE III B
Fuel capacity	l	230
Carriage 2-axle-central carriage, for 80 km/h according to StVZO		
Permissible Total Weight	kg	15000
Rotor #		
Weight equipped	kg	ca.850
Width	mm	1465
Diameter	mm	800
Rotation Speed at low / high Engine Speed	rpm	1250 / 1400
Flails / Milling Strips / Scarpers	piece	24./12./4
Flail weight	kg	ca. 3,5
maximum Infeed height	mm	450
Endless Floor	#	speed adjustable continuously at the control box
Infeed Roller	#	speed adjustable continuously at the control box
Rakes	#	position adjustable with remote control
Discharge Conveyor (rail) #		
Dropping Height (short/long)	mm	3300 / 3900
Width	mm	1450
Speed	m/sec	maximum 1,4
Crawler Drive #		
Speed	m/sec	0,1

Shredder | Series | MZA 3400

Throughput

Green Waste	m ³ /h	up to 60
Matured Timber	m ³ /h	up to 40
Matured Timber (already fractured)	m ³ /h	up to 60
Bark	m ³ /h	up to 80

Configuration

hydr. Hood Opening	#	●
One-piece Hood		●
Air brake system, with ABS		●
Drawbar Eye (diameter 50mm)		●
Load Sensing hydraulic system		●
Big Storage Compartment		●
24 Voltage Lighting System, according to StVZO		●
Discharge Conveyor (rails) short		◦
Discharge Conveyor (rails) long		◦
Magnetic Separator		◦
Crawler Track	#	◦
Crawler Drive	#	◦
Remote Control		◦
Central Lubrication		◦
hydr. Axle Extractor	#	◦
Reversible Fan	#	◦
Working lights (3 pieces)	#	◦
Water Spray System		◦
Drawbar Eye Extension		◦
Special Paint		◦
Biological Oil		◦
Volume Measurements by Optical Scale System mounted on Discharger		◦
Diesel Particulate Filter		◦

- series
- option

all positions pointed out with # can be operate by optional remote control